

SE105

Hand Operated Shower & Platform Operated Eye Wash Installation, Maintenance and Operating Instructions

DESCRIPTION

Floor mounted EMERGENCY DELUGE SHOWER & AERATED EYE WASH combination unit. Shower is supplied with a 25mm stay open full flow ball valve, activated by a triangle pull rod. Eye/Face wash is supplied with a self-closing platform operated valve, activated by walk on platform. Manufactured to comply with AS 4775 - 2007

SHOWER

Shower Head: 200mm ABS Cyclac
Valve: 25mm Stainless Steel
Activator: 304 Stainless Steel Pull Rod
Stanchion: 304 Stainless Steel Frame

EYE/FACE WASH

Eye/Face Wash: Aerated Eyewash
Valve: 40mm Female Brass
Activator: Galvanized Grate
Base Plate: 304 Stainless Steel

INSTALLATION

After unpacking carton, ensure all components are present. Mark out the floor as per frame footprint detail. Mount unit to the floor using suitable fasteners. Fit upper section and activation pull rod and fasten. Prior to connecting the water supply flush pipeline to clear impurities and debris. Connect water supply to 32mm connection at the back of the platform frame. Turn water supply on and assure all connections are watertight. Failure to use potable water can result in emergency units producing impure or contaminated water causing possible further injury. Test unit.

TESTING

The Australian Standards AS4775-2007 states that all safety equipment shall be activated on a weekly basis to flush the line and verify proper operation. All units include a testing tag to be filled out weekly.

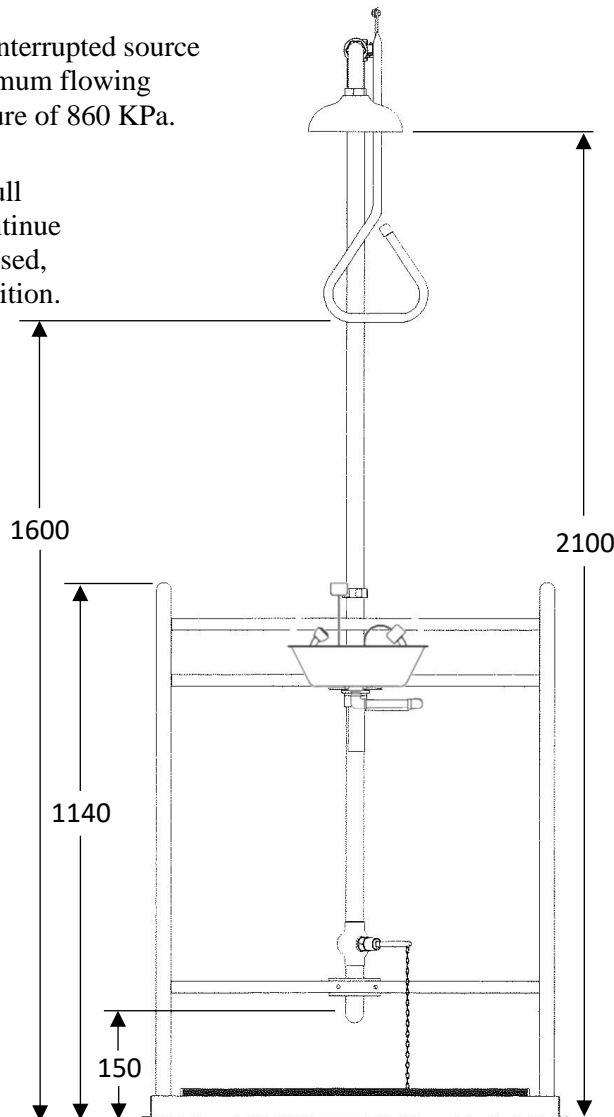
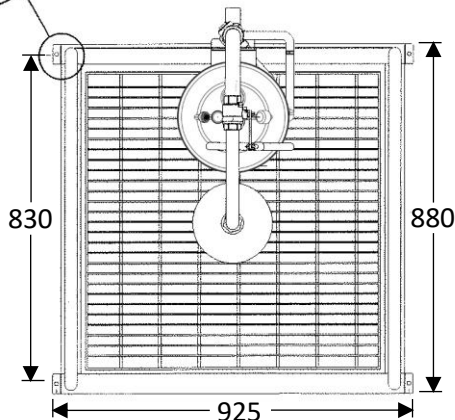
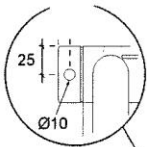
NOTE: This unit should be connected to an uninterrupted source of potable water, no less than 25mm with a minimum flowing pressure of 138KPa and a maximum static pressure of 860 KPa.

OPERATION

The shower is activated by pulling the triangle pull rod. Once the valve is activated the head will continue to discharge water until the valve is manually closed, this is done by pushing the pull rod to the off position.



The eye wash is activated by step on platform. The unit automatically shuts off when you step off the platform.



SE105
Combination Deluge Shower
& Aerated Eye/Face Wash

WARNING: Use only genuine Speakman parts when replacing or repairing components.

To order free call 1800 444 022 or free fax 1800 444 024

Installation, Maintenance and Operating Instructions

MAINTENANCE

Should you need to repair this unit, please see the parts list for correct part numbers. Before any maintenance is done **be sure the water supply is shut off.**

MAINTENANCE SCHEDULE

Activate eyewash unit and allow water to flow for 30 seconds to flush line.

Weekly

Ensure water flows evenly from both outlets.
Ensure water is clean.

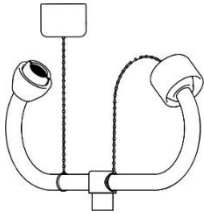
Yearly

Ensure unit complies with AS 4775 – 2007.

- ① **Part No: RPG05-1177**
Aerator Screen & Cap Assembly



- ② **Part No: SA 01003**
Complete Bulls Horns Assembly



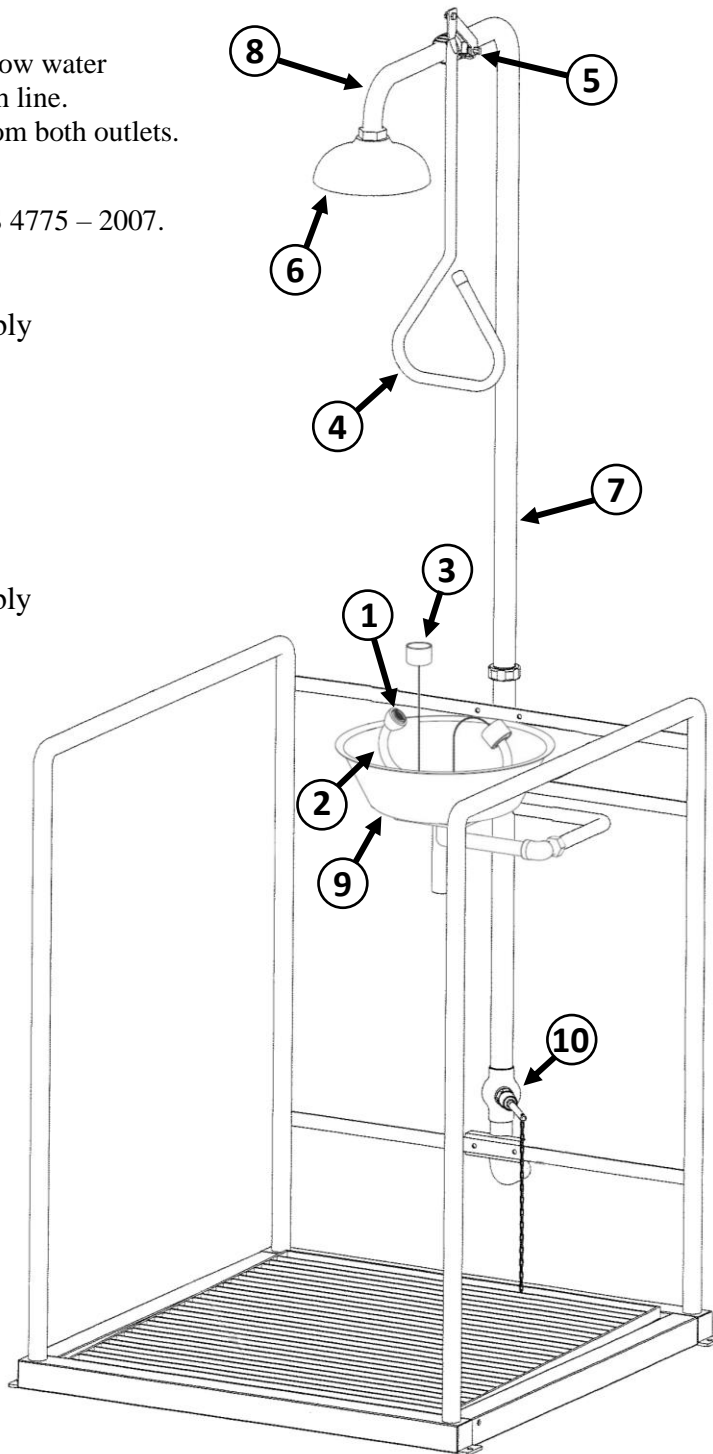
FLOW DATA

Eye Wash

Flow Rate: 12 LPM

Shower

Flow Rate: 78 LPM



SPARE PARTS LIST

No:	Description:	Part No:
1.	Aerator, Screen & Cap Assembly	RPG05-1177
2.	Complete Bull Horns Assembly	SA 01003
3.	Dust Cap Assembly	SA 01008
4.	Pull Rod Assembly	SA 02008
5.	25mm Activation Ball Valve	SE 911
6.	200mm Cyclac Shower Head	SE 810
7.	Upper Shower Section	SA 03002UPR
8.	Shower Arm 25mm BSP	SC 02001
9.	Stainless Steel Bowl	SR 03006
10.	Self Closing Platform Valve	SE902

WARNING: Use only genuine Speakman parts when replacing or repairing components.

To order free call 1800 444 022 or free fax 1800 444 024



SE105
Combination Deluge Shower
& Aerated Eye/Face Wash