



SE 253

Hand Operated Shower

Installation, Maintenance and Operating Instructions

Manufactured by PBA Safety in Australia to comply with AS 4775 - 2007.

DESCRIPTION

Floor mounted EMERGENCY DELUGE SHOWER unit. Shower is supplied with a 25mm stay open full flow ball valve, activated by a triangle pull rod.

SHOWER

- Shower Head: 200mm ABS Cicolac
- Valve: 25mm Stainless Steel
- Activator: 304 Stainless Steel Pull Rod
- Stanchion: 304 Stainless Steel Frame
- Base Plate: 304 Stainless Steel

INSTALLATION

After unpacking carton, ensure all components are present. Mark out the floor and mount the bottom stanchion section using suitable anchors. Then assemble top section (use pipe sealant on all joints). Assemble pull rod and shower head. Once the unit is completely assembled connect water supply to 25mm BSP Male top inlet. Failure to use potable water can result in emergency units producing impure or contaminated water causing possible further injury. Test unit.

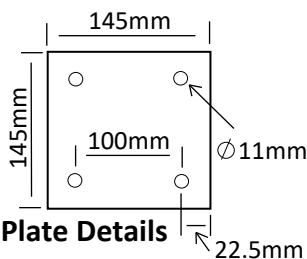
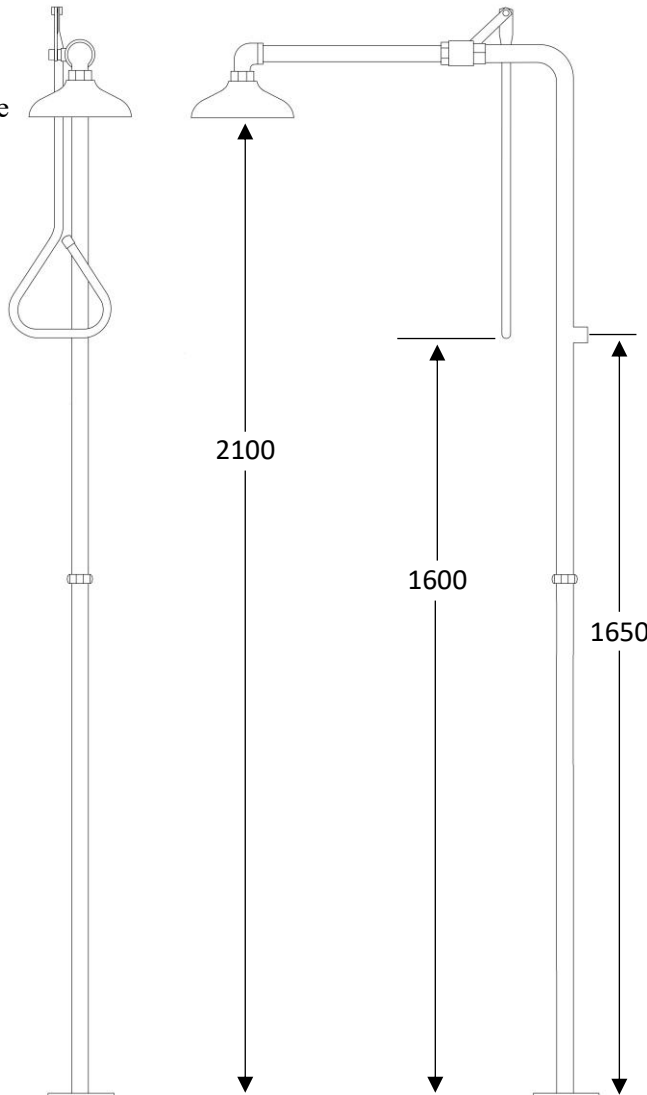
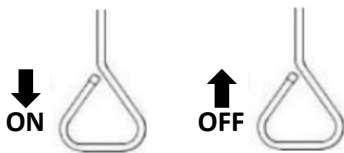
TESTING

The Australian Standards AS4775-2007 states that all safety equipment shall be activated on a weekly basis to flush the line and verify proper operation. All units include a testing tag to be filled out weekly.

NOTE: This unit should be connected to an uninterrupted source of potable water, no less than 25mm with a minimum flowing pressure of 138KPa and a maximum static pressure of 860 KPa.

OPERATION

The shower is activated by pulling the triangle pull rod. Once the valve is activated the head will continue to discharge water until the valve is manually closed, this is done by pushing the pull rod to the off position.



WARNING: Use only genuine Speakman parts when replacing or repairing components.



SE 253
Emergency Deluge Shower

Installation, Maintenance and Operating Instructions

MAINTENANCE

Should you need to repair this unit, please see the parts list for correct part numbers. Before any maintenance is done **be sure the water supply is shut off.**

MAINTENANCE SCHEDULE

Activate shower unit and allow water

Weekly

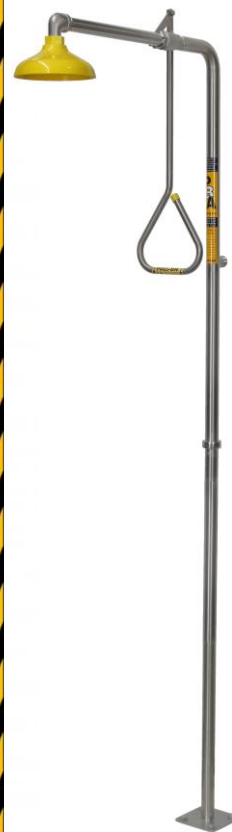
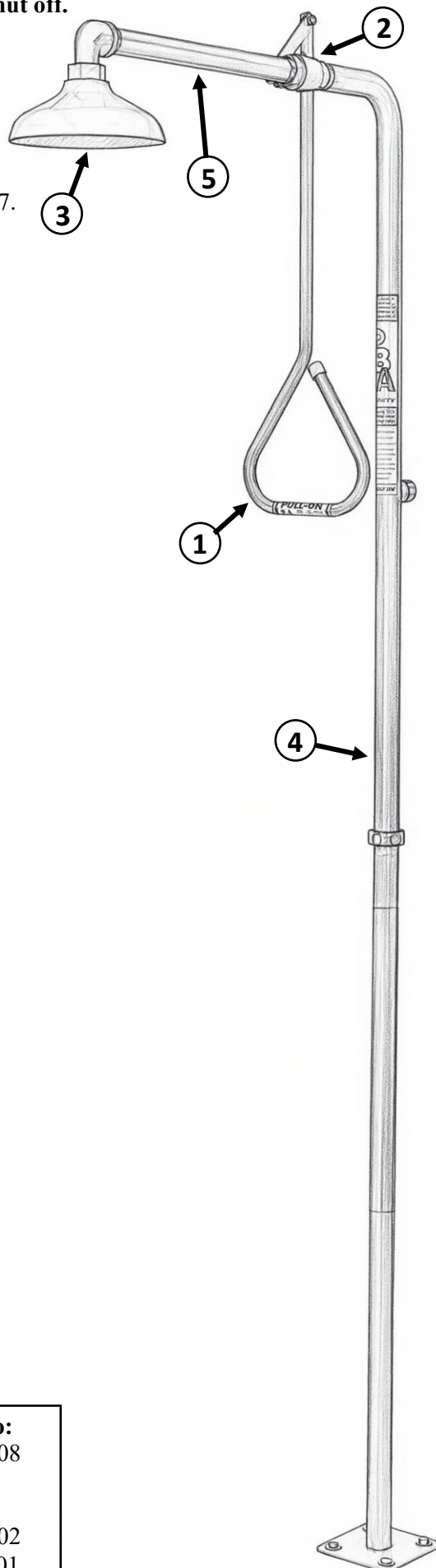
to flow for 30 seconds to flush line.

Ensure water flows evenly.

Ensure water is clean.

Yearly

Ensure unit complies with AS 4775 – 2007.



FLOW DATA

Shower

Flow Rate: 78 LPM

SPARE PARTS LIST

No:	Description:	Part No:
1.	Pull Rod Assembly	SA 02008
2.	25mm Activation Ball Valve	SE 911
3.	200mm Cicolac Shower Head	SE 810
4.	Combination Frame	SA 02002
5.	Shower Arm 25mm BSP	SC 02001

WARNING: Use only genuine Speakman parts when replacing or repairing components.

SE 253
Emergency Deluge Shower