



# SE693HFO 20L SP

Hand & Foot Operated

## Installation, Maintenance and Operating Instructions

Manufactured by PBA Safety in Australia to comply with AS 4775 - 2007.

### DESCRIPTION

Floor mounted EMERGENCY DELUGE SHOWER & AERATED EYE/FACE WASH combination unit. Shower is supplied with a 25mm stay open full flow ball valve, activated by a triangle pull rod. Eye wash is supplied with a 15mm stay open full flow ball valve, activated by an activation paddle handle and foot pedal. Fitted with Thermal Relief Anti-Scald Valve.

#### SHOWER

Shower Head: 200mm ABS Cyclac  
Valve: 25mm Stainless Steel  
Activator: 304 Stainless Steel Pull Rod  
Stanchion: 304 Stainless Steel Frame

#### EYE/FACE WASH

Eye/Face Wash: Aerated Eye/Face Wash  
Valve: 15mm Stainless Steel  
Activator: 304 Stainless Steel Push Handle  
Base Plate: 304 Stainless Steel

### INSTALLATION

After unpacking carton, ensure all components are present. Mark out the floor and mount the bottom stanchion section using suitable anchors. Place supplied bowl washer on top of flared washer. Attach bowl assembly by aligning pin on bottom of the bowl assembly with slot in flared washer. Screw in drain with provided Allen key. Attach hose from eyewash to outlet nipple. Assemble top section (use pipe sealant on all joints). Assemble pull rod and shower head, attach paddle handle and foot pedal. Attach hose to scald valve and secure to stanchion. Once the unit is completely assembled connect water supply to 25mm BSPMale top inlet. Failure to use potable water can result in emergency units producing impure or contaminated water causing possible further injury. Test unit.



### TESTING

The Australian Standards AS4775-2007 states that all safety equipment shall be activated on a weekly basis to flush the line and verify proper operation. All units include a testing tag to be filled out weekly.

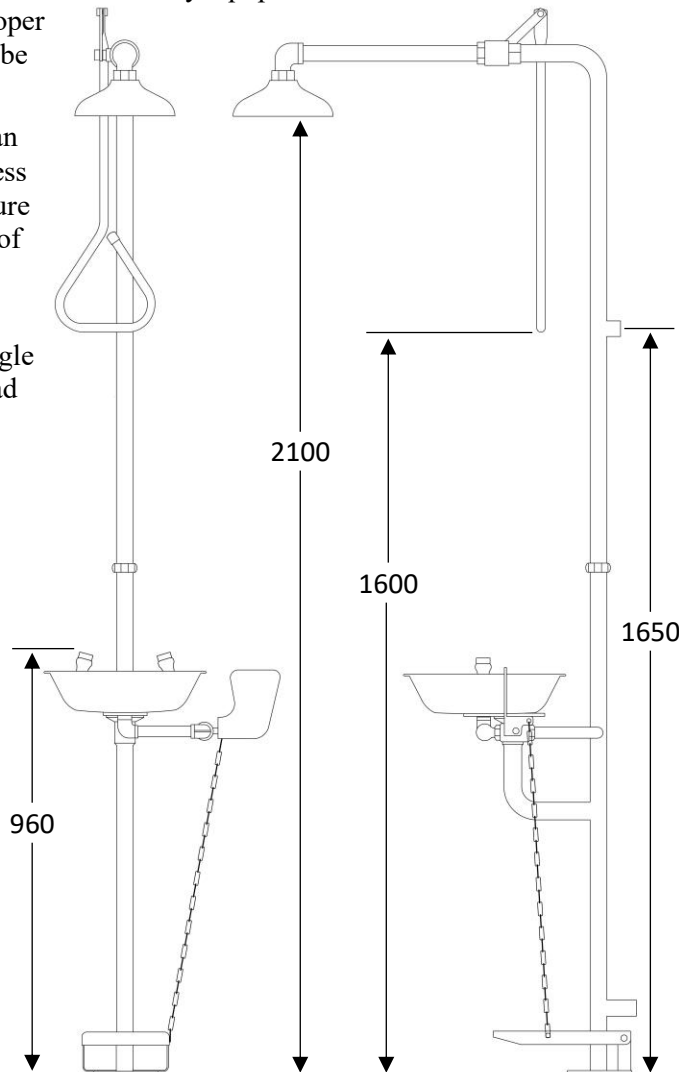
**NOTE:** This unit should be connected to an uninterrupted source of potable water, no less than 25mm with a minimum flowing pressure of 138KPa and a maximum static pressure of 860 KPa.

### OPERATION

The shower is activated by pulling the triangle pull rod. Once the valve is activated the head will continue to discharge water until the valve is manually closed, this is done by pushing the pull rod to the off position.



The eye wash is activated by pushing the paddle handle back 90 degrees. The unit will operate until the paddle handle is manually pulled to the off position.



SE693HFO 20L SP  
Combination Deluge Shower  
& Aerated Eye / Face Wash



1800 444 022  
WWW.PBASAFETY.COM.AU

**WARNING:** Use only genuine Speakman parts when replacing or repairing components.

# Installation, Maintenance and Operating Instructions

## MAINTENANCE

Should you need to repair this unit, please see the parts list for correct part numbers. Before any maintenance is done **be sure the water supply is shut off.**

## MAINTENANCE SCHEDULE

Activate eyewash unit and allow water

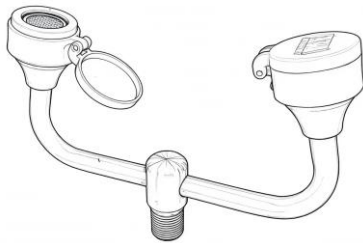
**Weekly** to flow for 30 seconds to flush line.  
Ensure water flows evenly from both outlets.  
Ensure water is clean.

**Yearly** Ensure unit complies with AS 4775 – 2007.

- ① **Part No: SR 06013**  
Aerator & Cap Assembly 25mm DIA



- ② **Part No: SA 01014**  
Bulls Horns Assembly 20L/Min



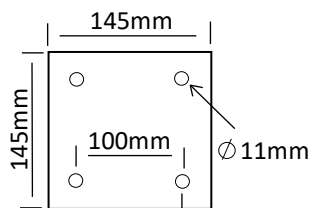
## FLOW DATA

### Eye Wash

Flow Rate: 22 LPM

### Shower

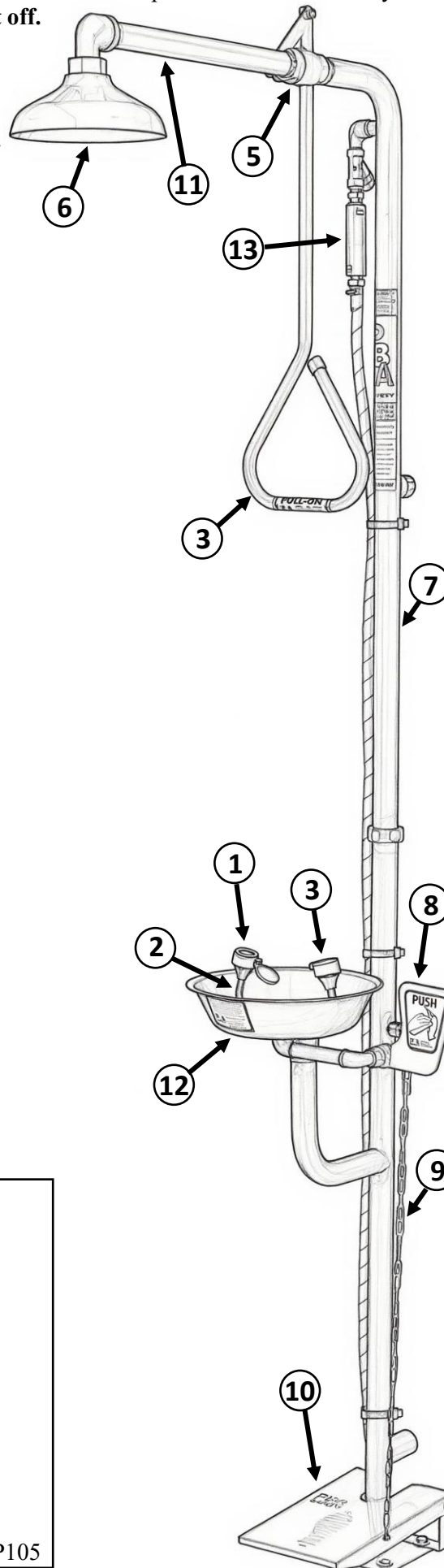
Flow Rate: 78 LPM



Base Plate Details

## SPARE PARTS LIST

No:	Description:	Part No:
1.	Aerator & Cap Assembly 25mm	SR 06013
2.	Complete Bull Horns Assembly	SA 01014
3.	Dust Cap Assembly	SA 01008
4.	Pull Rod Assembly	SA 02008
5.	25mm Activation Ball Valve	SE 911
6.	200mm Cyclac Shower Head	SE 810
7.	Combination Frame	SA 03002
8.	15mm Ball Valve & Push Handle	SE 910H
9.	Foot Pedal Connection Chain	SA 03014
10.	Foot Pedal Assembly	SA 03001
11.	Shower Arm 25mm BSP	SC 02001
12.	Stainless Steel Bowl	SR 03006
13.	Scald Protection Valve 12mm	SEHAT/SP105



**SE693HFO 20L SP**  
Combination Deluge Shower  
& Aerated Eye / Face Wash



1800 444 022  
WWW.PBASAFETY.COM.AU

**WARNING:** Use only genuine Speakman parts when replacing or repairing components.