



# SE590A - 106 - 675

## Installation, Maintenance and Operating Instructions

### DESCRIPTION

Portable pressurised EMERGENCY EYEWASH & BODY WASH Unit. Unit is supplied by a 106 Litre Stainless Steel Tank with two 15mm stay open full flow valve activated by push handles. The unit comes complete with pressure gauge, air filler, pressure relief valve and non-aerated bullhorns with flow off dust caps. (Hand Trolley available separately SE590A-106HT)  
 Manufactured in Australia to comply with AS 4775 - 2007

#### EYE WASH

Eye Wash: Non-Aerated Bullhorns  
 Valve: 15mm Stainless Steel  
 Activator: 304 Stainless Paddle Handle  
 Tank: 304 Stainless Steel, 106 Litre

#### Body Spray

Shower Tube: 304 Stainless Steel  
 Valve: 15mm Stainless Steel  
 Activator: 304 Stainless Paddle Handle

### INSTALLATION

After unpacking carton, ensure all components are present. Attach the Body Spray tube & eyewash assembly to tank as shown in image using joint sealer to prevent leakage. Fill unit with POTABLE WATER to the fill line. Pressurised tank to 100 PSI (690 kPa). Check for leaks.



### RECHARGING

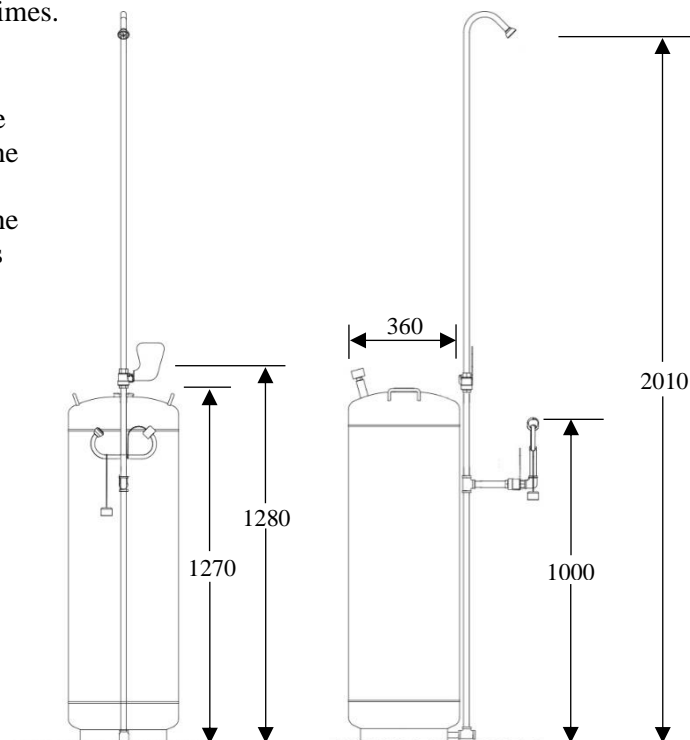
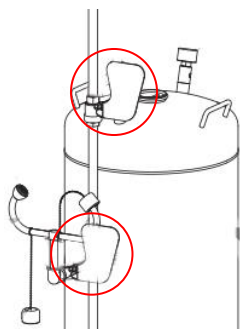
Ensure the tank is fully depressurised before unscrewing the fill cap. Rinse inside of the tank with clean water. Refill with approximately 80Lts of clean, potable water. Inspect fill cap O-Ring for wear / damage and replace if necessary. Replace fill cap and tighten.  
 To recharge air, use a regulated pressuring source. The regulator gauge should be used to determine when the correct charging pressure has been reached. Pressurize with clean air to 100 PSI (690 kPa).  
**Note:** This unit is suggested to have the water preserver (SE4210B4) added to the water to preserve the water for up to 120 days.

### MAINTENANCE & CLEANING

Inspect pressure gauge every week to ensure fully charged to 100 PSI (690 kPa) working pressure.  
 Cleaning: depressurise the unit and empty - add ¼ cup of household bleach to ½ a tank of water and replace cap, pressurise the unit and run water through the eye wash and shower assembly.  
 Depressurise the unit, remove the fill cap and empty all the water from the unit. Rinsing the unit - fill 1/2 way with water, replace the cap, pressurise the unit and run water through the Eye Wash & Body Spray assembly repeat this 2 to 3 times.

### OPERATION

The eye wash is activated by pushing the lower paddle handle back 90 degrees. The body spray is activated by pushing the upper paddle handle back 90 degrees. The unit will operate until the paddle handles are manually pulled to the off position.



**SE590A - 106 - 675**  
**Portable Pressurised Combination**  
**Non-Aerated Body Spray & Eyewash**

**WARNING:** Use only genuine Speakman parts when replacing or repairing components.

To order free call 1800 444 022 or free fax 1800 444 024

# Installation, Maintenance and Operating Instructions

## MAINTENANCE

Should you need to repair this unit, please see the parts list for correct part numbers. Before any maintenance is done **be sure the unit is depressurised.**

## MAINTENANCE SCHEDULE

Activate eyewash unit and allow water

**Weekly** to flow for 5 seconds to flush line.  
Ensure water flows evenly from both outlets.  
Ensure water is clean.

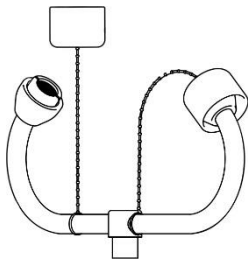
**Yearly** Ensure unit complies with AS 4775 – 2007.

Tank Weight Empty: 30Kg

Tank Weight Full: 110kg

Trolley Weight: 20Kg (Capacity 200Kg)

① **Part No: SA 05006**  
Low Flow Bulls Horns Assembly



## FLOW DATA

### Eye Wash

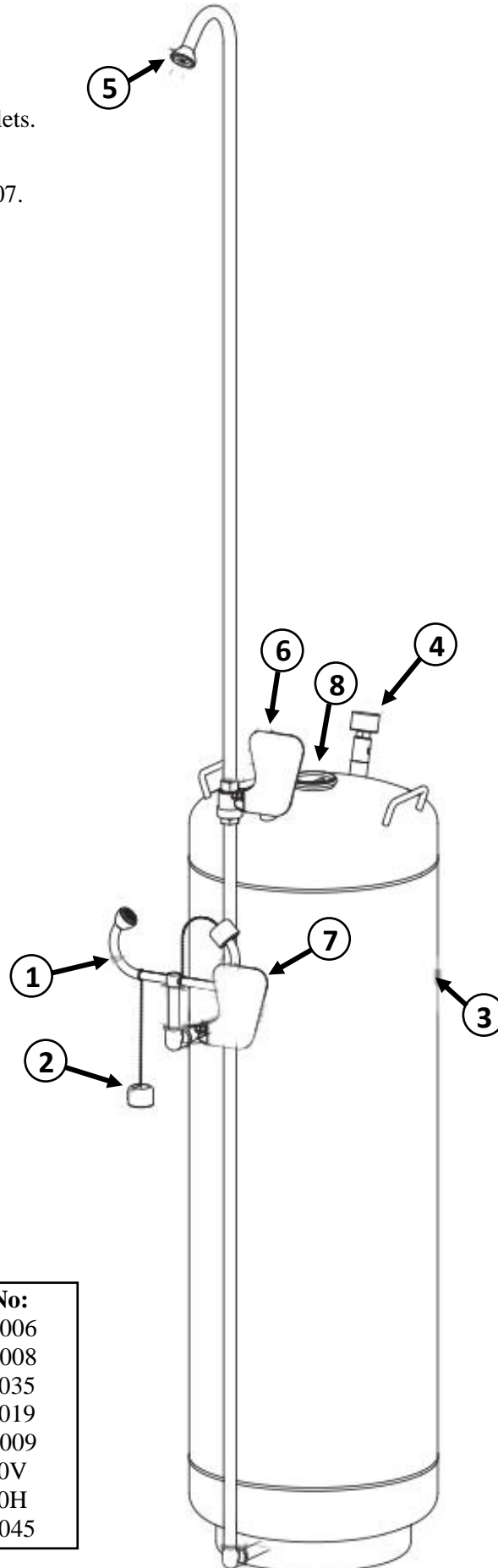
Flow Rate: 2 LPM

### Body Wash

Flow Rate: 5 LPM

## SPARE PARTS LIST

No:	Description:	Part No:
1.	Low Flow Bulls Horns Assembly	SA 05006
2.	Dust Cap Assembly	SA 01008
3.	106 Litre Pressurised Tank	SR 66035
4.	SE590A Pressure Gauge	SR 66019
5.	Low Flow Spray Head Assembly	SA 05009
6.	15mm Ball Valve & Push Handle	SE 910V
7.	15mm Ball Valve & Push Handle	SE 910H
8.	Fill Cap for SE590A Tanks	SR 66045



**SE590A - 106 - 675**  
Portable Pressurised Combination  
Non-Aerated Body Spray & Eyewash

**WARNING:** Use only genuine Speakman parts when replacing or repairing components.

To order free call 1800 444 022 or free fax 1800 444 024