



SE220

Installation, Maintenance and Operating Instructions

Manufactured by PBA Safety in Australia to comply with AS 4775 - 2007.

DESCRIPTION

Roof mounted EMERGENCY DELUGE SHOWER. Shower is supplied with a 25mm stay open full flow ball valve, activated by a triangle pull rod.

EYE/FACE WASH

Shower Head: 200mm ABS
 Valve: 25mm Stainless Steel
 Activator: 304 Stainless Steel Pull Rod

FLOW DATA

Eye/Face Wash
 Flow Pressure: 138 KPa
 Flow Rate: 78 LPM

INSTALLATION

After unpacking carton, ensure all components are present. Assemble pull rod and shower head. Prior to connecting the water supply flush, the pipeline to clear impurities and debris. Attach unit to water supply 25mm BSP Female. Turn water supply on and assure all connections are

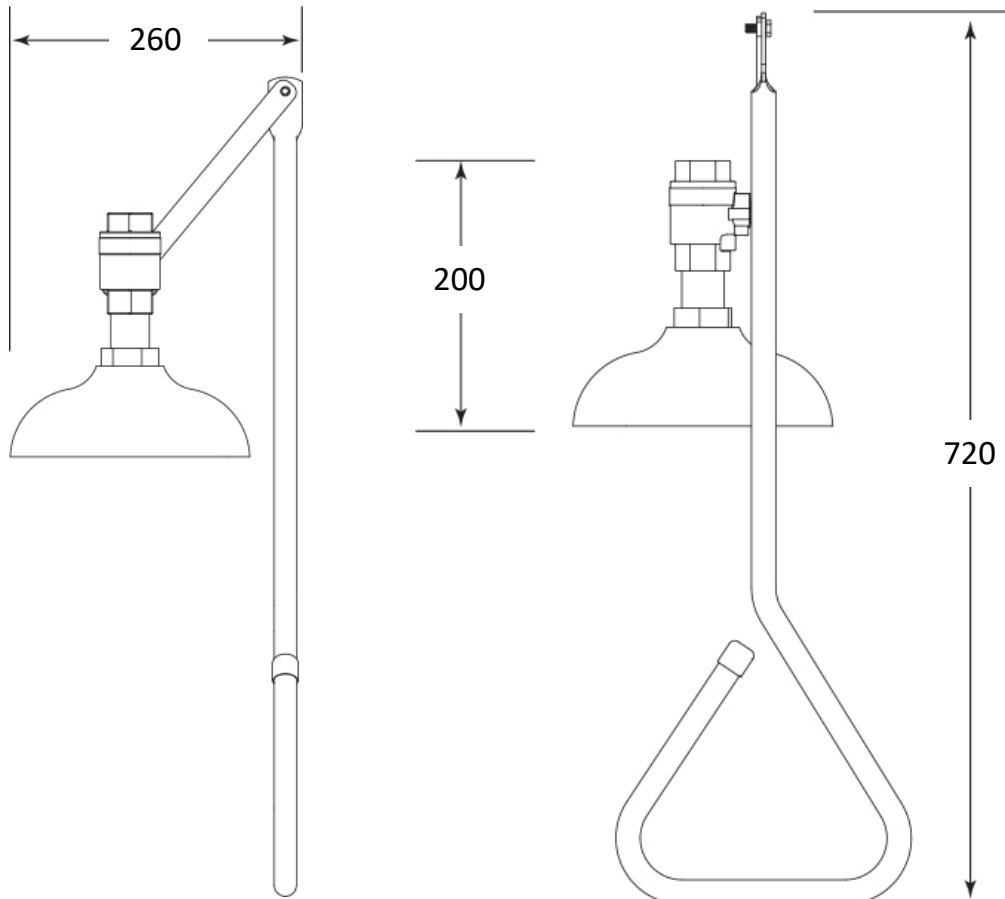
TESTING

The Australian Standards AS4775-2007 states that all safety equipment shall be activated on a weekly basis to flush the line and verify proper operation. All units include a testing tag to be filled out weekly.

NOTE: This unit should be connected to an uninterrupted source of potable water, no less than 25mm with a minimum flowing pressure of 138KPa and a maximum static pressure of 860 KPa.

OPERATION

The shower is activated by pulling down the pull rod. The unit will operate until the pull rod is manually pushed to the off position.



SE220
Roof Mounted
Emergency Deluge

WARNING: Use only genuine Speakman parts when replacing or repairing components.

Installation, Maintenance and Operating Instructions

MAINTENANCE

Should you need to repair this unit, please see the parts list for correct part numbers. Before any maintenance is done **be sure the water supply is shut off.**

MAINTENANCE SCHEDULE

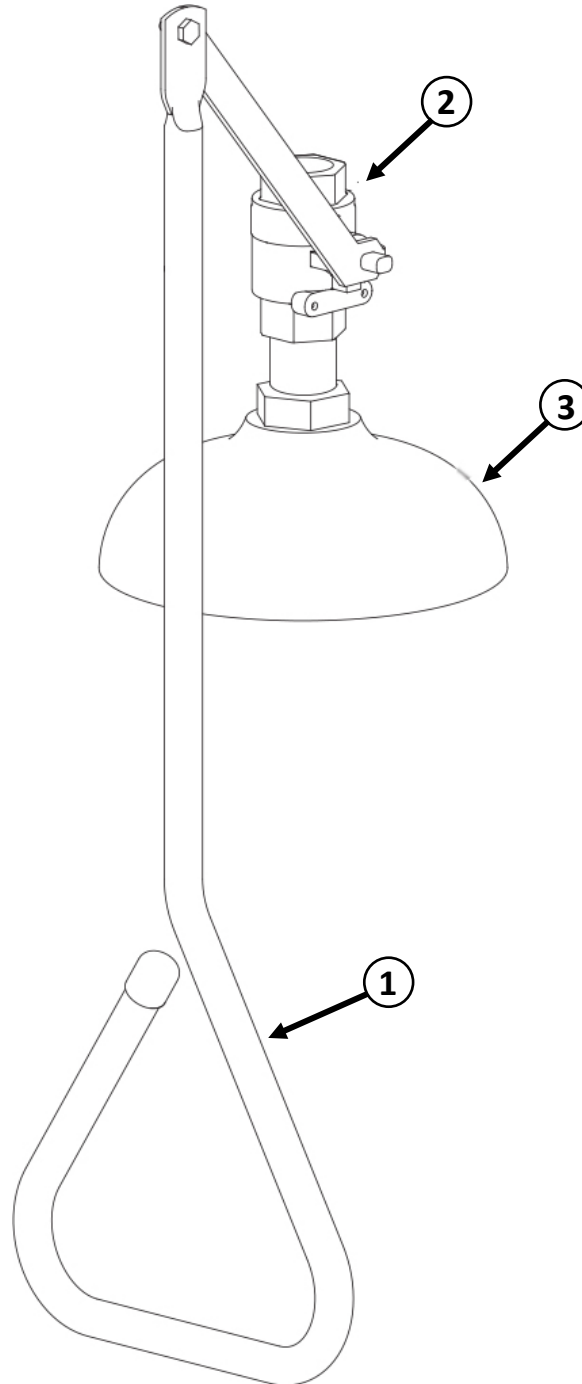
Activate shower unit and allow water

Weekly to flow for 30 seconds to flush line.

Ensure water flows evenly.

Ensure water is clean.

Yearly Ensure unit complies with AS 4775 – 2007.



SE220
Roof Mounted
Emergency Deluge

SPARE PARTS LIST

No:	Description:	Part No:
1.	Pull Rod Assembly	SA 02008
2.	25mm Activation Ball Valve & Lever	SE 911VRT
3.	200mm ABS Shower Head	SE 810

WARNING: Use only genuine Speakman parts when replacing or repairing components.

PBA
SAFETY
1800 444 022
WWW.PBASAFETY.COM.AU