

# SE480

Hand & Foot Operated

# SE420

Hand Operated

## Installation, Maintenance and Operating Instructions

### DESCRIPTION

Floor mounted EMERGENCY AERATED EYE/FACE WASH unit. Eye/Face wash is supplied with a 15mm stay open full flow ball valve, activated by an activation paddle handle and foot pedal. Manufactured to comply with AS 4775 - 2007

### EYE/FACE WASH

Eye/Face Wash:	Triple Aerated Shrouds
Valve:	15mm Stainless Steel
Activator:	304 Stainless Steel Push Handle
Base Plate:	304 Stainless Steel

### FLOW DATA

<b>Eye/Face Wash</b>	
Flow Pressure:	138 KPa
Flow Rate:	36 LPM

### INSTALLATION

After unpacking carton, ensure all components are present. Mark out the floor and mount the base plate using suitable anchors. Place supplied washer on top of pedestal stand. Screw in drain loosely with provided Allen key. Ensure bowl is straight then tighten drain. Fit activation handle and foot pedal (SE480). Once the unit is completely assembled connect water supply to 15mm female connection. Failure to use potable water can result in emergency units producing impure or contaminated water causing possible further injury. Test unit.

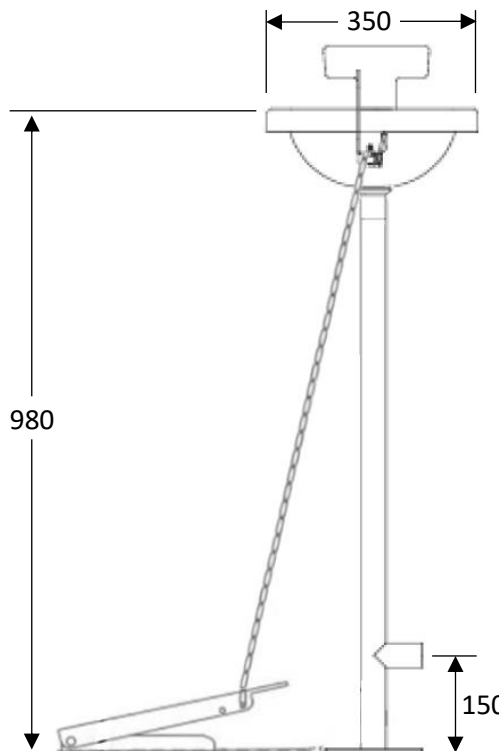
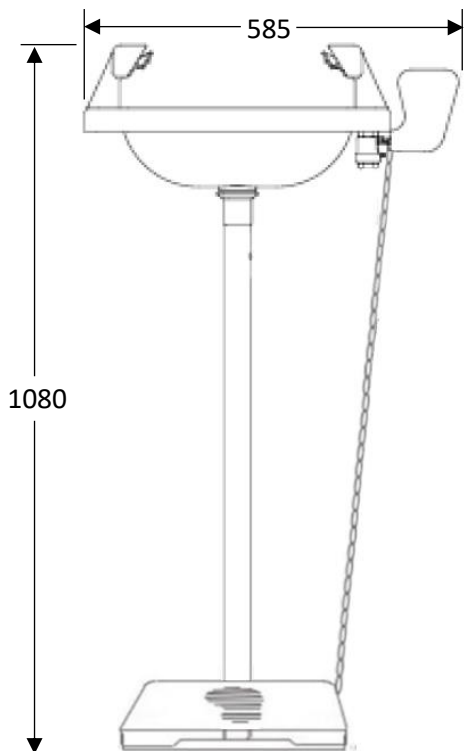
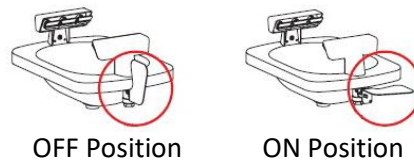
### TESTING

The Australian Standards AS4775-2007 states that all safety equipment shall be activated on a weekly basis to flush the line and verify proper operation. All units include a testing tag to be filled out weekly.

**NOTE:** This unit should be connected to an uninterrupted source of potable water, no less than 15mm with a minimum flowing pressure of 138KPa and a maximum static pressure of 860 KPa.

### OPERATION

The eye wash is activated by pushing the paddle handle back 90 degrees. The unit will operate until the paddle handle is manually pulled to the off position.



**SE480 / SE420**  
**Pedestal Mounted**  
**Aerated Eye/Face Wash**

**WARNING:** Use only genuine Speakman parts when replacing or repairing components.

To order free call 1800 444 022 or free fax 1800 444 024

# Installation, Maintenance and Operating Instructions

## MAINTENANCE

Should you need to repair this unit, please see the parts list for correct part numbers. Before any maintenance is done **be sure the water supply is shut off.**

## MAINTENANCE SCHEDULE

Activate eyewash unit and allow water to flow for 30 seconds to flush line.

### Weekly

Ensure water flows evenly from both outlets.  
Ensure water is clean.

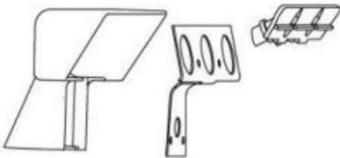
### Yearly

Ensure unit complies with AS 4775 – 2007.

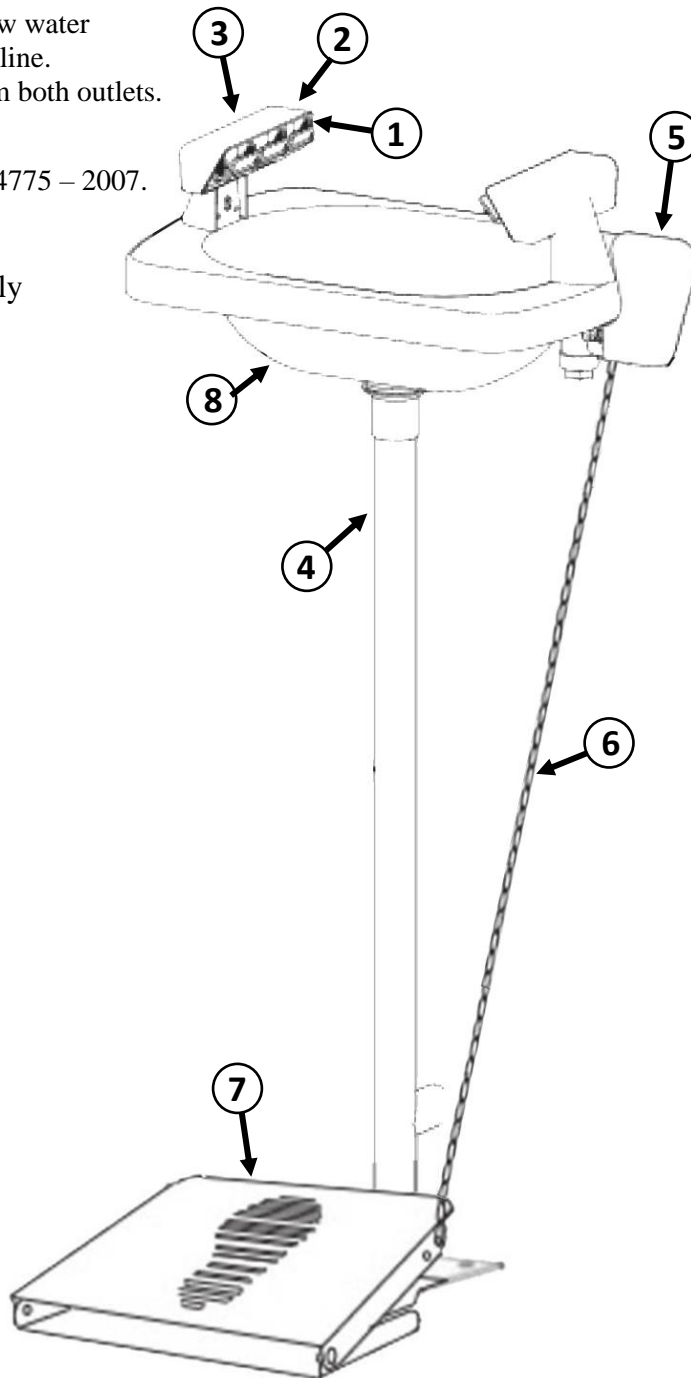
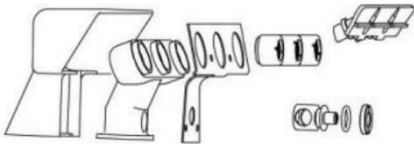
- ① **Part No: RPG05-1177**  
Aerator Screen & Cap Assembly



- ② **Part No: G10-0041**  
Shroud Body Repair



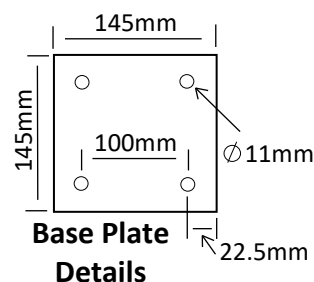
- ③ **Part No: G10-0042**  
Complete Shroud Assembly



**SE480 / SE420**  
**Pedestal Mounted**  
**Aerated Eye/Face Wash**

## SPARE PARTS LIST

No:	Description:	Part No:
1.	Aerator, Screen & Cap Assembly	RPG05-1177
2.	Shroud Body Repair Kit	G10-0041
3.	Complete Shroud Assembly	G10-0042
4.	Pedestal Frame	SA 01001
5.	15mm Ball Valve & Push Handle	SE 910V
6.	Foot Pedal Connection Chain	SA 03014
7.	Foot Pedal Assembly	SA 03001
8.	Stainless Steel Bowl	68-0033



**WARNING:** Use only genuine Speakman parts when replacing or repairing components.

To order free call 1800 444 022 or free fax 1800 444 024