

# SE400

## Installation, Maintenance and Operating Instructions



### DESCRIPTION

Wall mounted EMERGENCY AERATED EYE/FACE WASH unit. Eye/Face wash is supplied with a 15mm stay open full flow ball valve, activated by an activation paddle handle. Manufactured to comply with AS 4775 - 2007

### EYE/FACE WASH

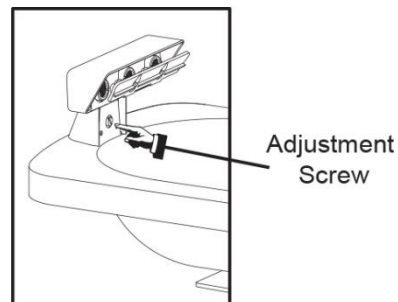
Eye/Face Wash: Triple Aerated Shrouds  
Valve: 15mm Stainless Steel  
Activator: 304 Stainless Steel Push Handle  
Wall Bracket: 304 Stainless Steel

### FLOW DATA

**Eye/Face Wash**  
Flow Pressure: 138 KPa  
Flow Rate: 36 LPM

### INSTALLATION

After unpacking carton, ensure all components are present. Mark out the wall as per mounting bracket details. Mount the unit to the wall using suitable fasteners. Fit activation handle and fasten. Once the unit is securely mounted connect water supply to 15mm female connection. Failure to use potable water can result in emergency units producing impure or contaminated water causing possible further injury. Activate the unit and adjust spray pattern to balance centrally in the basin using adjustment screws.



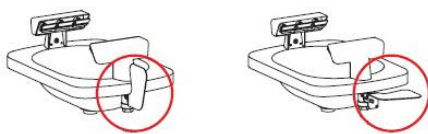
### TESTING

The Australian Standards AS4775-2007 states that all safety equipment shall be activated on a weekly basis to flush the line and verify proper operation. All units include a testing tag to be filled out weekly.

**NOTE:** This unit should be connected to an uninterrupted source of potable water, no less than 15mm with a minimum flowing pressure of 138KPa and a maximum static pressure of 860 KPa.

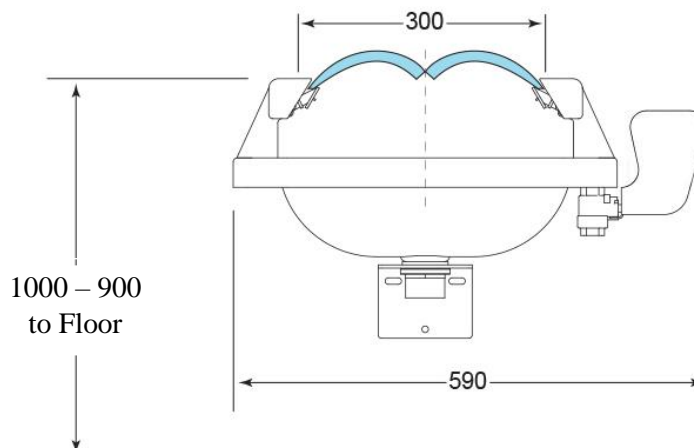
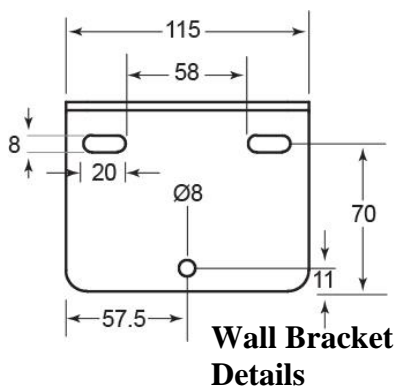
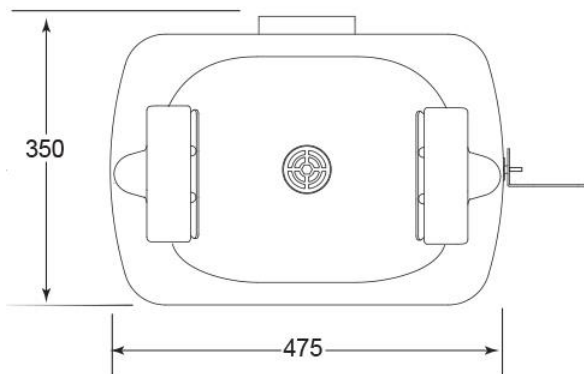
### OPERATION

The eye wash is activated by pushing the paddle handle back 90 degrees. The unit will operate until the paddle handle is manually pulled to the off position.



OFF Position

ON Position



**WARNING:** Use only genuine Speakman parts when replacing or repairing components.

To order free call 1800 444 022 or free fax 1800 444 024

SE400  
Wall Mounted  
Aerated Eye/Face Wash

# Installation, Maintenance and Operating Instructions

## MAINTENANCE

Should you need to repair this unit, please see the parts list for correct part numbers. Before any maintenance is done **be sure the water supply is shut off.**

## MAINTENANCE SCHEDULE

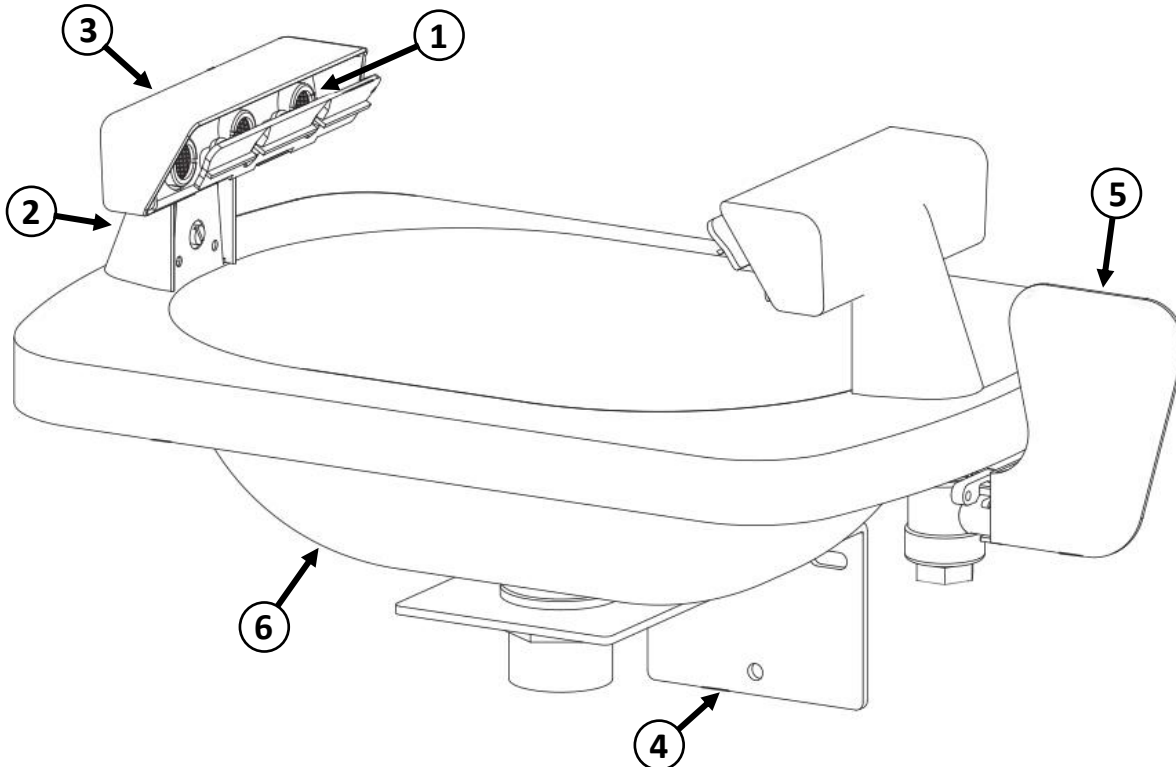
Activate eyewash unit and allow water

**Weekly** to flow for 30 seconds to flush line.

Ensure water flows evenly from both outlets.

Ensure water is clean.

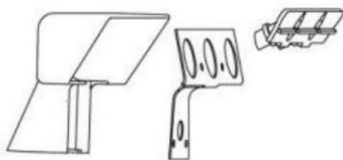
**Yearly** Ensure unit complies with AS 4775 – 2007.



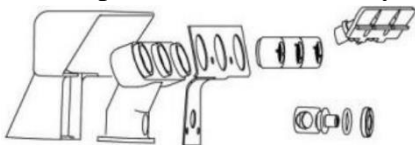
- ① **Part No: RPG05-1177**  
Aerator Screen & Cap Assembly



- ② **Part No: G10-0041**  
Shroud Body Repair



- ③ **Part No: G10-0042**  
Complete Shroud Assembly



## SPARE PARTS LIST

No:	Description:	Part No:
1.	Aerator, Screen & Cap Assembly	RPG05-1177
2.	Shroud Body Repair Kit	G10-0041
3.	Complete Shroud Assembly	G10-0042
4.	SE400 Wall Bracket	SR02004
5.	15mm Ball Valve & Push Handle	SE 910V
6.	Stainless Steel Bowl	68-0033

**WARNING:** Use only genuine Speakman parts when replacing or repairing components.

To order free call 1800 444 022 or free fax 1800 444 024



**SE400**  
Wall Mounted  
Aerated Eye/Face Wash