

# SE607

Hand & Foot Operated

# SE603

Hand Operated

## Installation, Maintenance and Operating Instructions

### DESCRIPTION

Floor mounted EMERGENCY DELUGE SHOWER & AERATED EYE/FACE WASH combination unit. Shower is supplied with a 25mm stay open full flow ball valve, activated by a triangle pull rod. Eye/Face wash is supplied with a 15mm stay open full flow ball valve, activated by an activation paddle handle and foot pedal. Manufactured to comply with AS 4775 - 2007

### SHOWER

Shower Head: 200mm ABS Cyclac  
Valve: 25mm Stainless Steel  
Activator: 304 Stainless Steel Pull Rod  
Stanchion: 304 Stainless Steel Frame

### EYE/FACE WASH

Eye/Face Wash: Triple Aerated Shrouds  
Valve: 15mm Stainless Steel  
Activator: 304 Stainless Steel Push Handle  
Base Plate: 304 Stainless Steel

### INSTALLATION

After unpacking carton, ensure all components are present. Mark out the floor and mount the bottom stanchion section using suitable anchors. Place supplied bowl washer on top of flared washer. Loosely secure bowl by screwing in drain with provided Allen key. Secure bowl to stanchion with provided saddle bracket & tighten drain. Attach hose from eyewash to outlet nipple. Assemble top section (use pipe sealant on all joints). Assemble pull rod and shower head, attach paddle handle and foot pedal (SE607). Once the unit is completely assembled connect water supply to 25mm top inlet nipple. Failure to use potable water can result in emergency units producing impure or contaminated water causing possible further injury. Test unit.



### TESTING

The Australian Standards AS4775-2007 states that all safety equipment shall be activated on a weekly basis to flush the line and verify proper operation. All units include a testing tag to be filled out weekly.

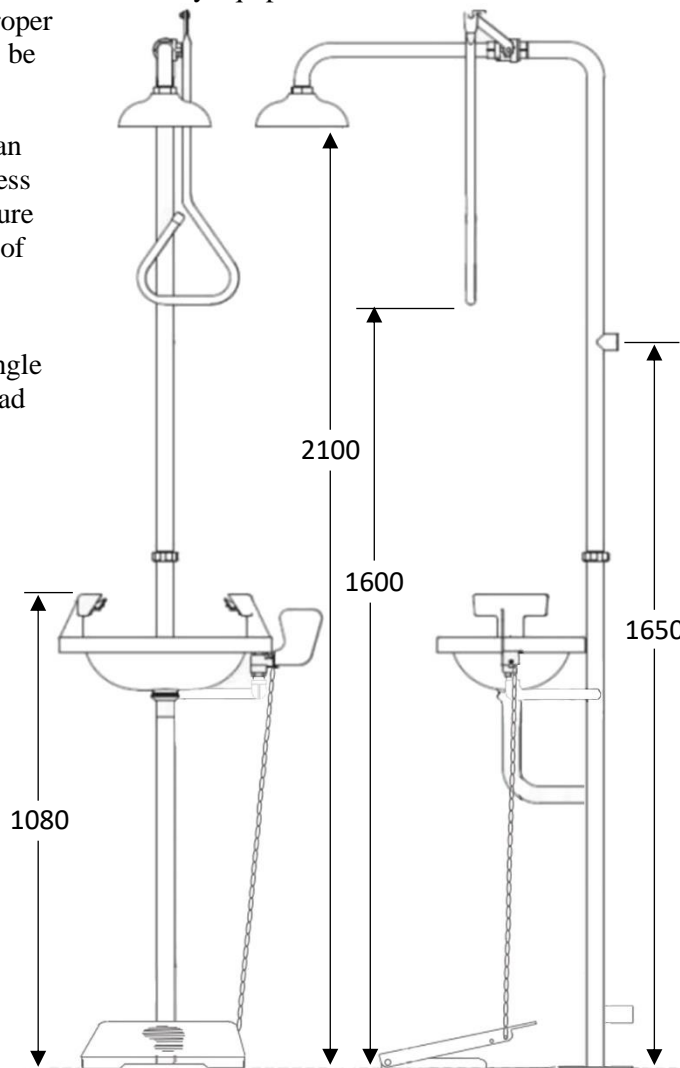
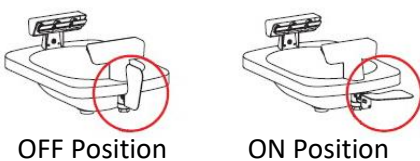
**NOTE:** This unit should be connected to an uninterrupted source of potable water, no less than 25mm with a minimum flowing pressure of 138KPa and a maximum static pressure of 860 KPa.

### OPERATION

The shower is activated by pulling the triangle pull rod. Once the valve is activated the head will continue to discharge water until the valve is manually closed, this is done by pushing the pull rod to the off position.



The eye wash is activated by pushing the paddle handle back 90 degrees. The unit will operate until the paddle handle is manually pulled to the off position.



SE607 / SE603  
Combination Deluge Shower  
& Aerated Eye/Face Wash

**WARNING:** Use only genuine Speakman parts when replacing or repairing components.

To order free call 1800 444 022 or free fax 1800 444 024

# Installation, Maintenance and Operating Instructions

## MAINTENANCE

Should you need to repair this unit, please see the parts list for correct part numbers. Before any maintenance is done **be sure the water supply is shut off.**

## MAINTENANCE SCHEDULE

Activate eyewash unit and allow water to flow for 30 seconds to flush line.

### Weekly

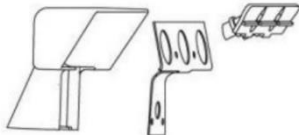
Ensure water flows evenly from both outlets.  
Ensure water is clean.

**Yearly** Ensure unit complies with AS 4775 – 2007.

- ① **Part No: RPG05-1177**  
Aerator Screen & Cap Assembly



- ② **Part No: G10-0041**  
Shroud Body Repair



- ③ **Part No: G10-0042**  
Complete Shroud Assembly



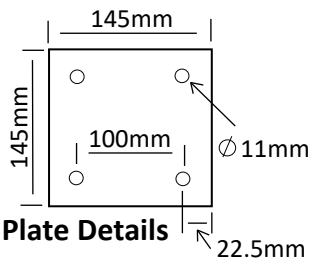
## FLOW DATA

### Eye/Face Wash

Flow Rate: 36 LPM

### Shower

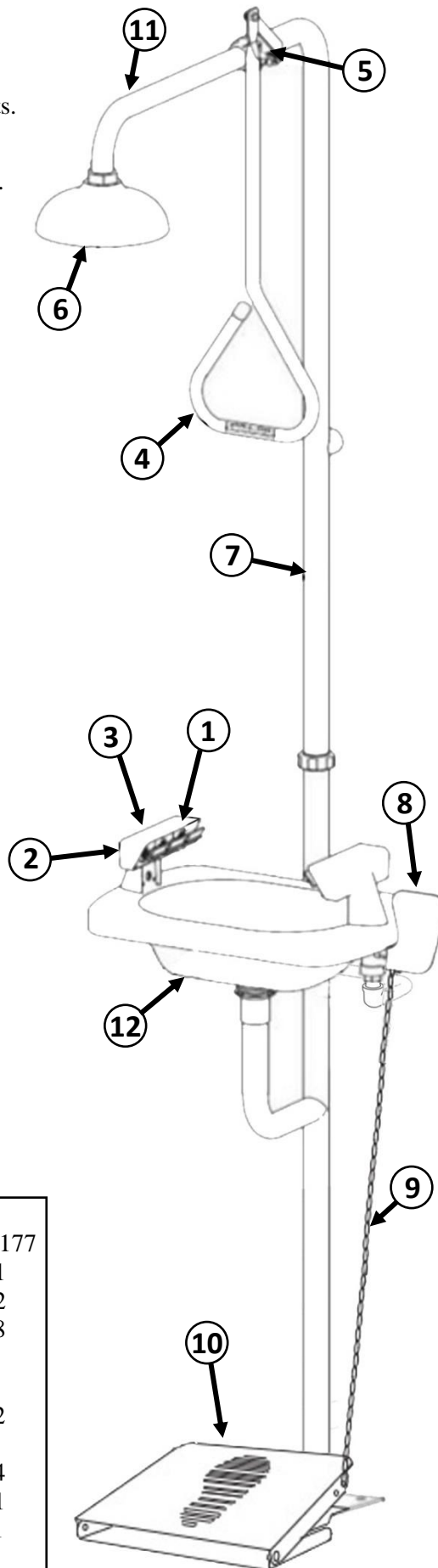
Flow Rate: 78 LPM



Base Plate Details

## SPARE PARTS LIST

No:	Description:	Part No:
1.	Aerator, Screen & Cap Assembly	RPG05-1177
2.	Shroud Body Repair Kit	G10-0041
3.	Complete Shroud Assembly	G10-0042
4.	Pull Rod Assembly	SA 02008
5.	25mm Activation Ball Valve	SE 911
6.	200mm Cyclac Shower Head	SE 810
7.	Combination Frame	SA 03002
8.	15mm Ball Valve & Push Handle	SE 910V
9.	Foot Pedal Connection Chain	SA 03014
10.	Foot Pedal Assembly	SA 03001
11.	Shower Arm 25mm BSP	SC 02001
12.	Stainless Steel Bowl	68-0033



**SE607 / SE603**  
**Combination Deluge Shower**  
**& Aerated Eye/Face Wash**

**WARNING:** Use only genuine Speakman parts when replacing or repairing components.

To order free call 1800 444 022 or free fax 1800 444 024