

# SE220

## Installation, Maintenance and Operating Instructions

### DESCRIPTION

Roof mounted EMERGENCY DELUGE SHOWER. Shower is supplied with a 25mm stay open full flow ball valve, activated by a triangle pull rod. Manufactured by PBA Safety to comply with AS 4775 - 2007

### EYE/FACE WASH

Shower Head: 200mm ABS  
Valve: 25mm Stainless Steel  
Activator: 304 Stainless Steel Pull Rod

### FLOW DATA

**Eye/Face Wash**  
Flow Pressure: 138 KPa  
Flow Rate: 78 LPM

### INSTALLATION

After unpacking carton, ensure all components are present. Prior to connecting the water supply flush, the pipeline to clear impurities and debris. Attach unit to water supply. Turn water supply on and assure all connections are watertight.

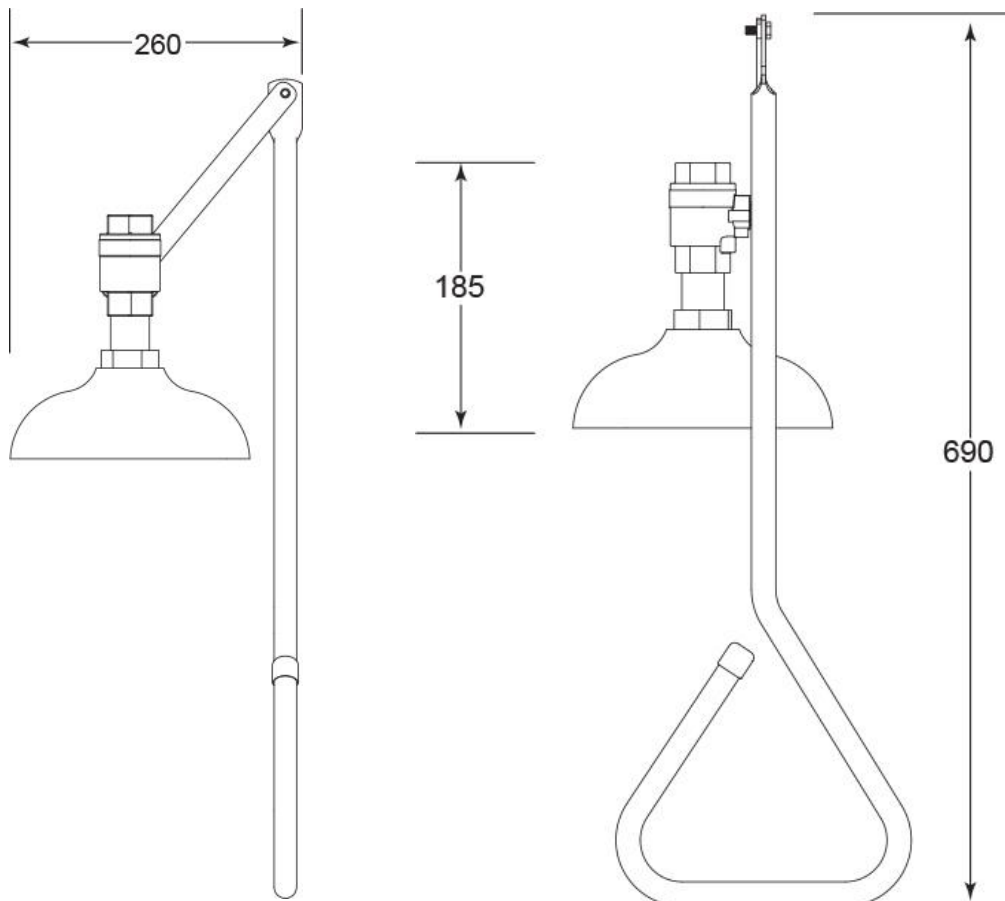
### TESTING

The Australian Standards AS4775-2007 states that all safety equipment shall be activated on a weekly basis to flush the line and verify proper operation. All units include a testing tag to be filled out weekly.

**NOTE:** This unit should be connected to an uninterrupted source of potable water, no less than 25mm with a minimum flowing pressure of 138KPa and a maximum static pressure of 860 KPa.

### OPERATION

The shower is activated by pulling down the pull rod. The unit will operate until the pull rod is manually pushed to the off position.



SE220  
Roof Mounted  
Emergency Deluge

**WARNING:** Use only genuine Speakman parts when replacing or repairing components.

To order free call 1800 444 022 or free fax 1800 444 024

# Installation, Maintenance and Operating Instructions

## MAINTENANCE

Should you need to repair this unit, please see the parts list for correct part numbers. Before any maintenance is done **be sure the water supply is shut off.**

## MAINTENANCE SCHEDULE

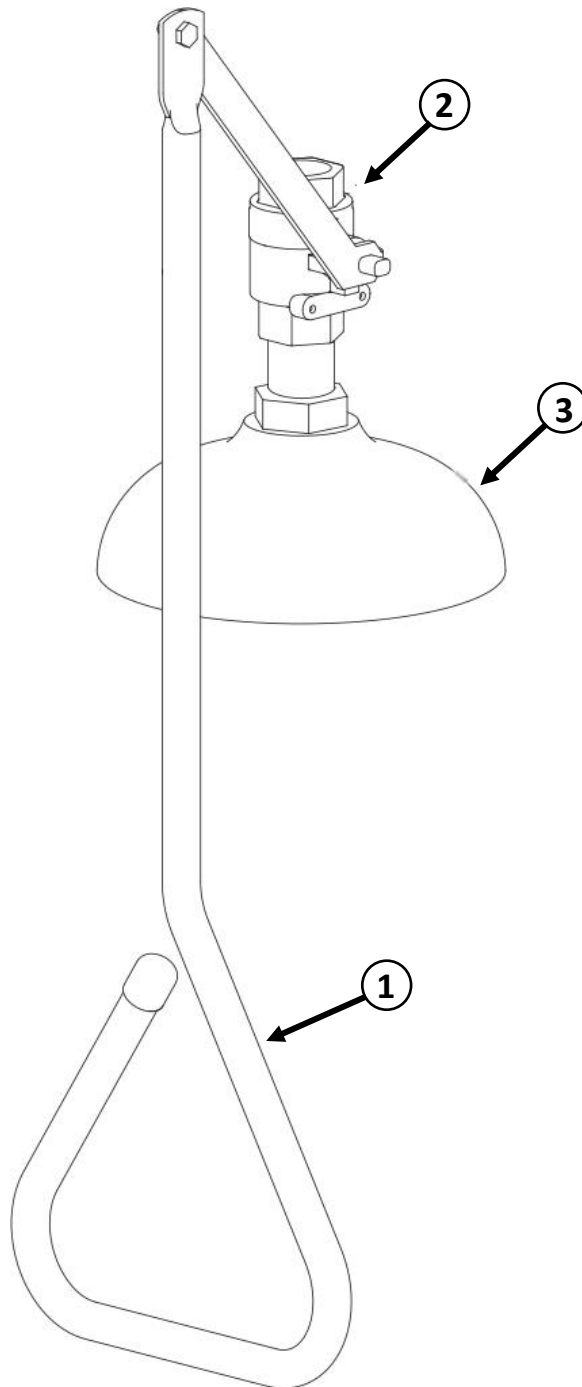
Activate shower unit and allow water

**Weekly** to flow for 30 seconds to flush line.

Ensure water flows evenly.

Ensure water is clean.

**Yearly** Ensure unit complies with AS 4775 – 2007.



## SPARE PARTS LIST

No:	Description:	Part No:
1.	Pull Rod Assembly	SA 02008
2.	25mm Activation Ball Valve & Lever	SE 911
3.	200mm ABS Shower Head	SE 810

**WARNING:** Use only genuine Speakman parts when replacing or repairing components.

To order free call 1800 444 022 or free fax 1800 444 024

SE220  
Roof Mounted  
Emergency Deluge